

Standard Construction and Materials

FRAME: .125" thick (nominal) extruded aluminum.

BLADE: .125" thick (nominal) extruded aluminum.

SCREEN: 19/16 Mesh, .011" dia. aluminum wire, insect screen.

FINISH: Clear anodized finish is standard.

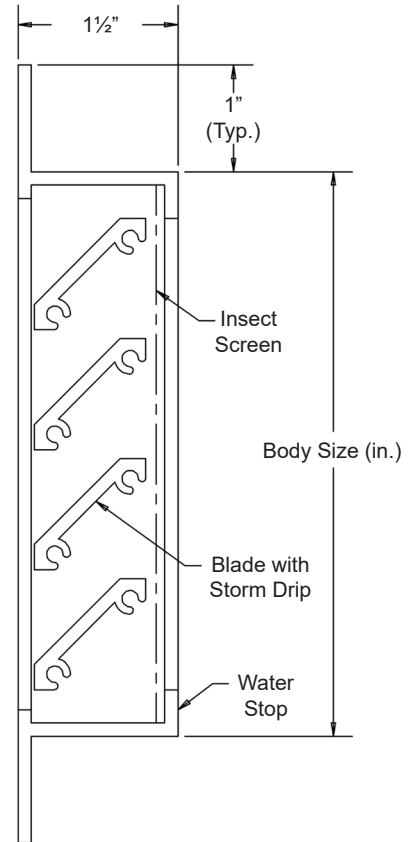
Options

Finish - Baked Enamel, Kynar, Anodize

Notes

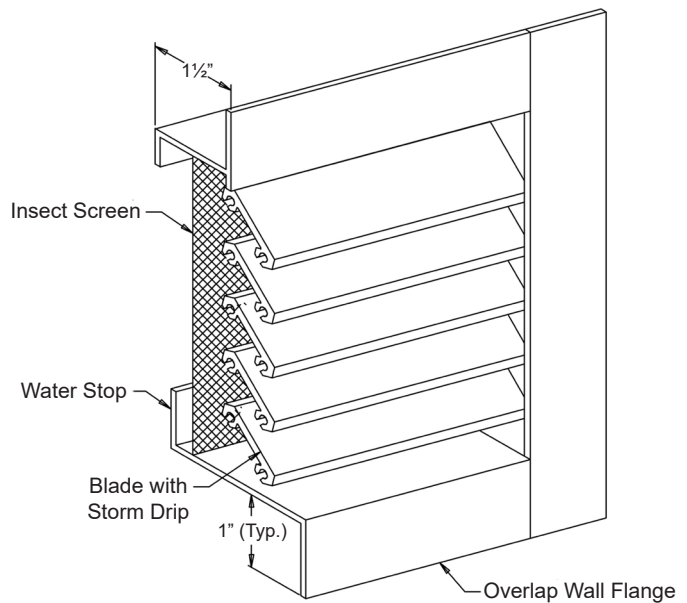
- Nominal deductions will be made from opening dimensions given unless otherwise stated.
- Many stock sizes are available for immediate shipment. Brick vents are also available in practically any width or height.

Body Size	Minimum Opening Size	Free Area (Sq. In.)
8½" x 2¾"	8½" x 2⅝"	4.18
8½" x 4¾"	8½" x 5"	11.52
8½" x 7¾"	8½" x 8"	19.58
16½" x 2¾"	17" x 2⅝"	8.64
16½" x 4¾"	17" x 5"	28.22
16½" x 7¾"	17" x 8"	40.32
12" x 2¾"	12½" x 2⅝"	6.34
12" x 4¾"	12½" x 5"	17.28
24" x 4¾"	24½" x 5"	39.02
24" x 7¾"	24½" x 8"	58.75



Not to scale.

For custom size Brick Vents, contact customer service for details.



For handwritten orders, use the schedule block on page 2.

In the interest of product development, Cesco Products reserves the right to make changes without notice.

Brick Vent • 1½" Deep • 45° Straight Blades • Stationary • Flange Frame • Extruded Aluminum

Item	Qty	Opening Size		Finish	Tagging	Net Each	Total
		Width ("A")	Height ("B")				